

Unveiling the Strength and Security of Bsc N4 Chapter Rebated Steel Door Frames

In the realm of construction, door frames play a pivotal role in ensuring the integrity and functionality of building entrances. Among the various types of door frames, Bsc N4 Chapter Rebated Steel Door Frames stand out for their exceptional durability, security, and aesthetic appeal. This comprehensive article delves into the intricate details of Bsc N4 Rebated Steel Door Frames, highlighting their key features, benefits, applications, and installation considerations.

Key Features of Bsc N4 Rebated Steel Door Frames

1. **Robust Construction:** Bsc N4 Rebated Steel Door Frames are meticulously crafted from high-grade steel, providing unmatched strength and resilience. They are engineered to withstand heavy traffic, impact forces, and attempted forced entry.



BSC N4_Chapter 2_ Rebated Steel Door Frames

by Kiara Ashanti

★★★★★ 5 out of 5

Language : English

File size : 356116 KB

Screen Reader : Supported

Print length : 114 pages



2. **Rebated Design:** The unique rebated design of these door frames creates a seamless and secure connection between the door frame and the

wall, eliminating potential gaps that could compromise security or allow air infiltration.

3. **Corrosion Resistance:** Bsc N4 Rebated Steel Door Frames undergo rigorous surface treatments, such as galvanizing, powder coating, or paint finishing, to ensure exceptional corrosion resistance. This protection safeguards the frames against rust and premature degradation.

4. **Fire Resistance:** Certain Bsc N4 Rebated Steel Door Frames are designed to meet stringent fire resistance ratings. The frames are manufactured with fire-resistant materials and intumescent strips, which expand when exposed to heat, sealing gaps and preventing the spread of fire.

Benefits of Bsc N4 Rebated Steel Door Frames

1. **Enhanced Security:** The robust construction and rebated design of Bsc N4 Rebated Steel Door Frames provide superior security, deterring break-ins and unauthorized access. They are ideal for use in high-security applications, such as banks, prisons, and military facilities.

2. **Durability and Longevity:** The heavy-duty steel construction and corrosion-resistant treatments ensure exceptional longevity for Bsc N4 Rebated Steel Door Frames. They withstand harsh weather conditions, heavy usage, and the passage of time with minimal maintenance requirements.

3. **Fire Safety:** Fire-rated Bsc N4 Rebated Steel Door Frames contribute to building fire safety by delaying the spread of flames and smoke. They offer

peace of mind in the event of a fire, providing occupants with crucial time to evacuate.

4. **Aesthetic Versatility:** Bsc N4 Rebated Steel Door Frames are available in a wide range of finishes and colors, including powder-coated, paint, or woodgrain laminates. This versatility allows them to complement various architectural styles and interior design schemes.

Applications of Bsc N4 Rebated Steel Door Frames

Bsc N4 Rebated Steel Door Frames are extensively used in a diverse range of applications, including:

1. **Commercial Buildings:** Bsc N4 Rebated Steel Door Frames are ideal for high-traffic areas in commercial buildings, such as offices, retail stores, and public spaces. Their durability ensures they can withstand the demands of heavy foot traffic without compromising security.

2. **Institutional Buildings:** These door frames provide exceptional security for institutions, such as schools, hospitals, and government buildings. Their fire resistance capabilities contribute to the safety and well-being of occupants.

3. **Industrial Buildings:** Bsc N4 Rebated Steel Door Frames are well-suited for industrial environments, where they offer protection against unauthorized access and harsh working conditions. Their corrosion resistance ensures they can withstand chemical exposure, moisture, and extreme temperatures.

4. **Residential Buildings:** Although primarily used in commercial and institutional settings, Bsc N4 Rebated Steel Door Frames can also enhance security and aesthetic appeal in residential buildings. They are particularly suitable for external doors and high-security areas within homes.

Installation Considerations for Bsc N4 Rebated Steel Door Frames

1. **Proper Measurement:** Precisely measuring the doorway opening is crucial to ensure the Bsc N4 Rebated Steel Door Frame fits perfectly. Incorrect measurements can lead to installation difficulties or compromised security.

2. **Structural Integrity:** The wall where the door frame is being installed must have sufficient structural integrity to support the weight of the frame and the door. Reinforcement may be necessary if the wall is not strong enough.

3. **Plumb and Level:** During installation, the Bsc N4 Rebated Steel Door Frame must be plumb (vertical) and level (horizontal). This ensures proper operation and prevents binding or misalignment of the door.

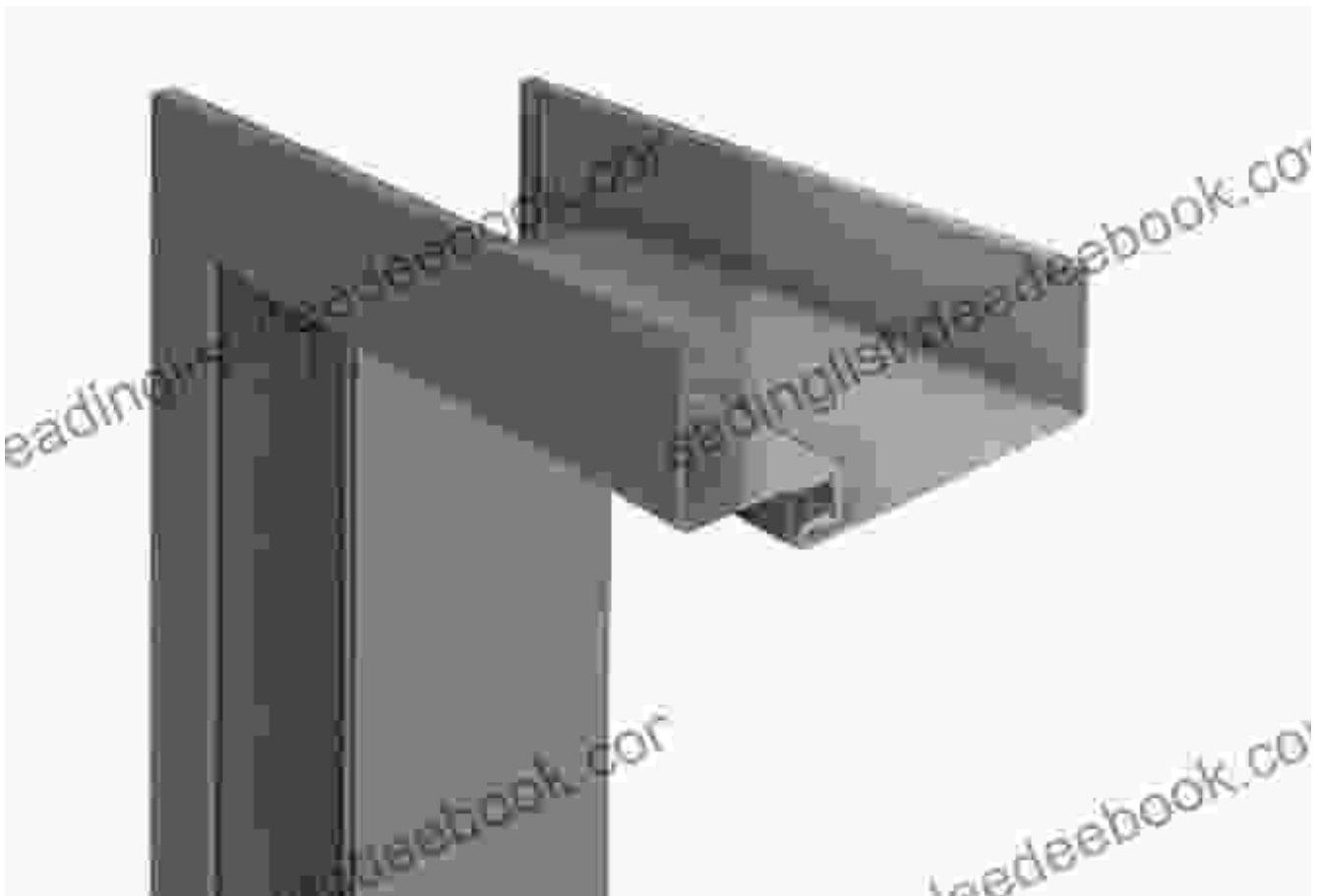
4. **Anchoring:** The door frame should be securely anchored to the wall using appropriate hardware, such as bolts, screws, or anchors. Proper anchoring ensures the frame is firmly fixed and cannot be easily dislodged.

5. **Gap Sealing:** Any gaps between the door frame and the wall should be filled with a suitable sealant. This prevents drafts, moisture infiltration, and potential security breaches.

Bsc N4 Rebated Steel Door Frames are the epitome of strength, security, and versatility in the world of building entrances. Their robust construction, rebated design, corrosion resistance, and fire resistance capabilities make them an exceptional choice for a wide range of applications. From commercial buildings to residential homes, Bsc N4 Rebated Steel Door Frames provide peace of mind, enhance security, and complement any architectural style. When it comes to ensuring the integrity and functionality of building entrances, Bsc N4 Rebated Steel Door Frames stand as the ultimate solution.

Image Alt Attributes

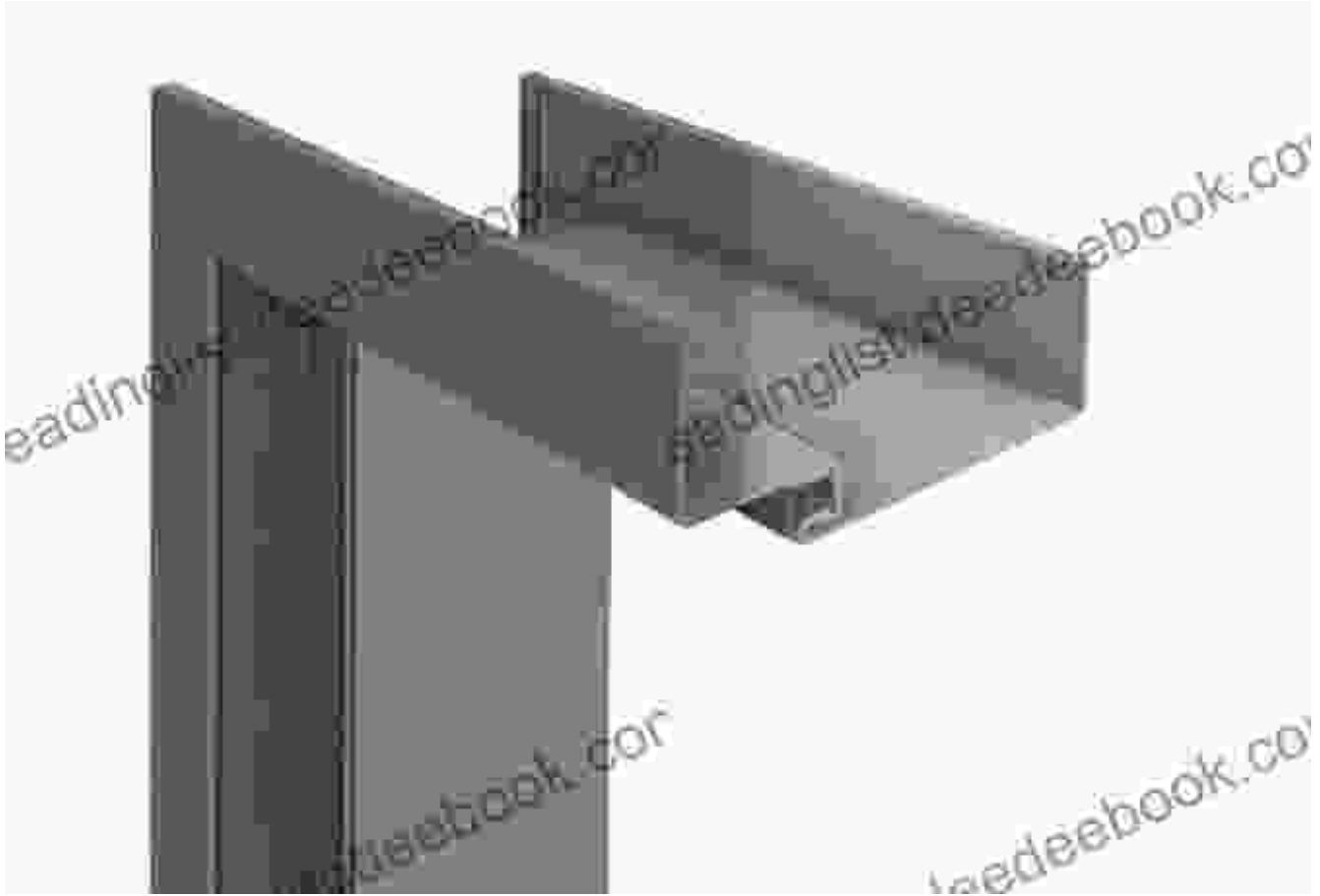
1.



2.



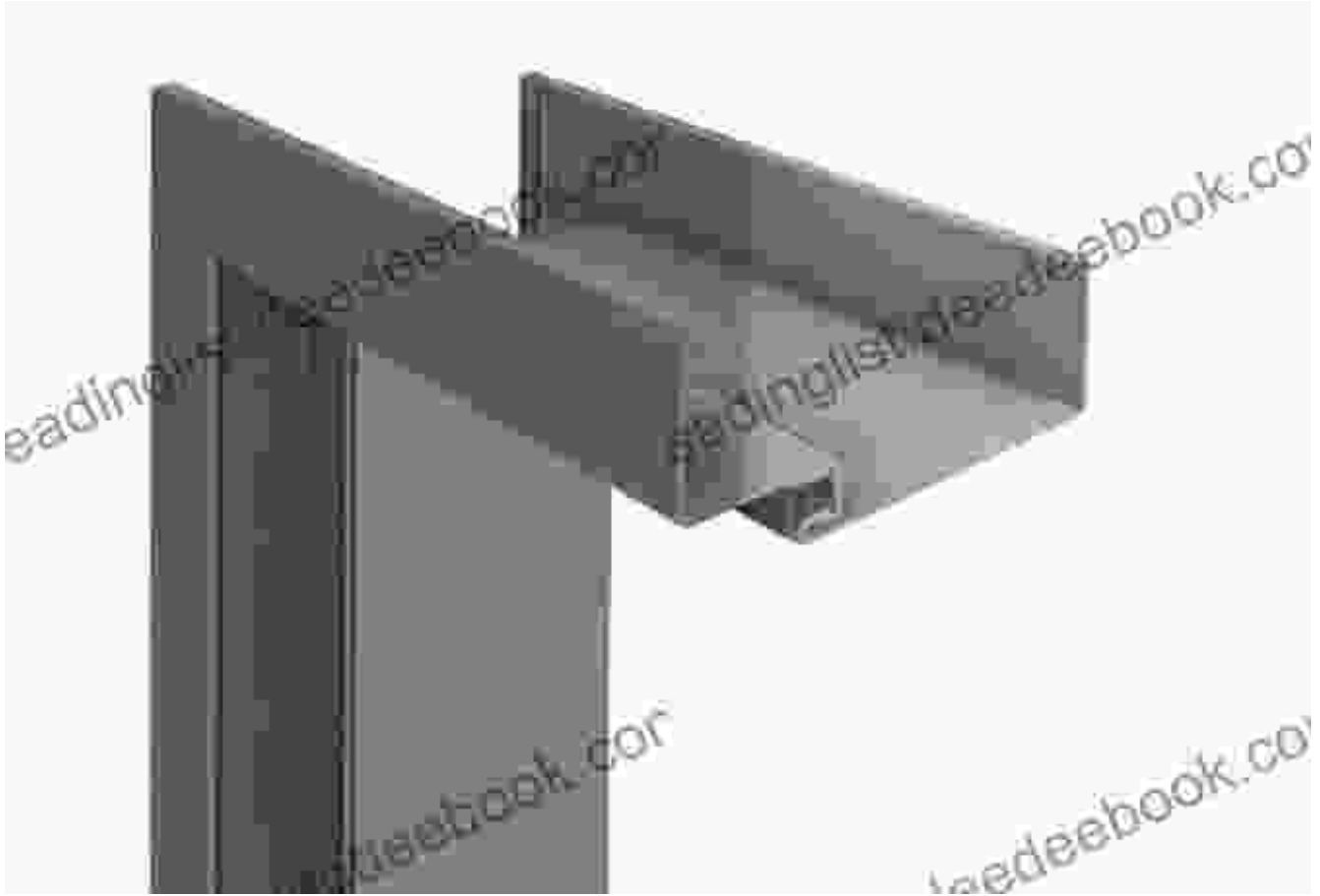
3.



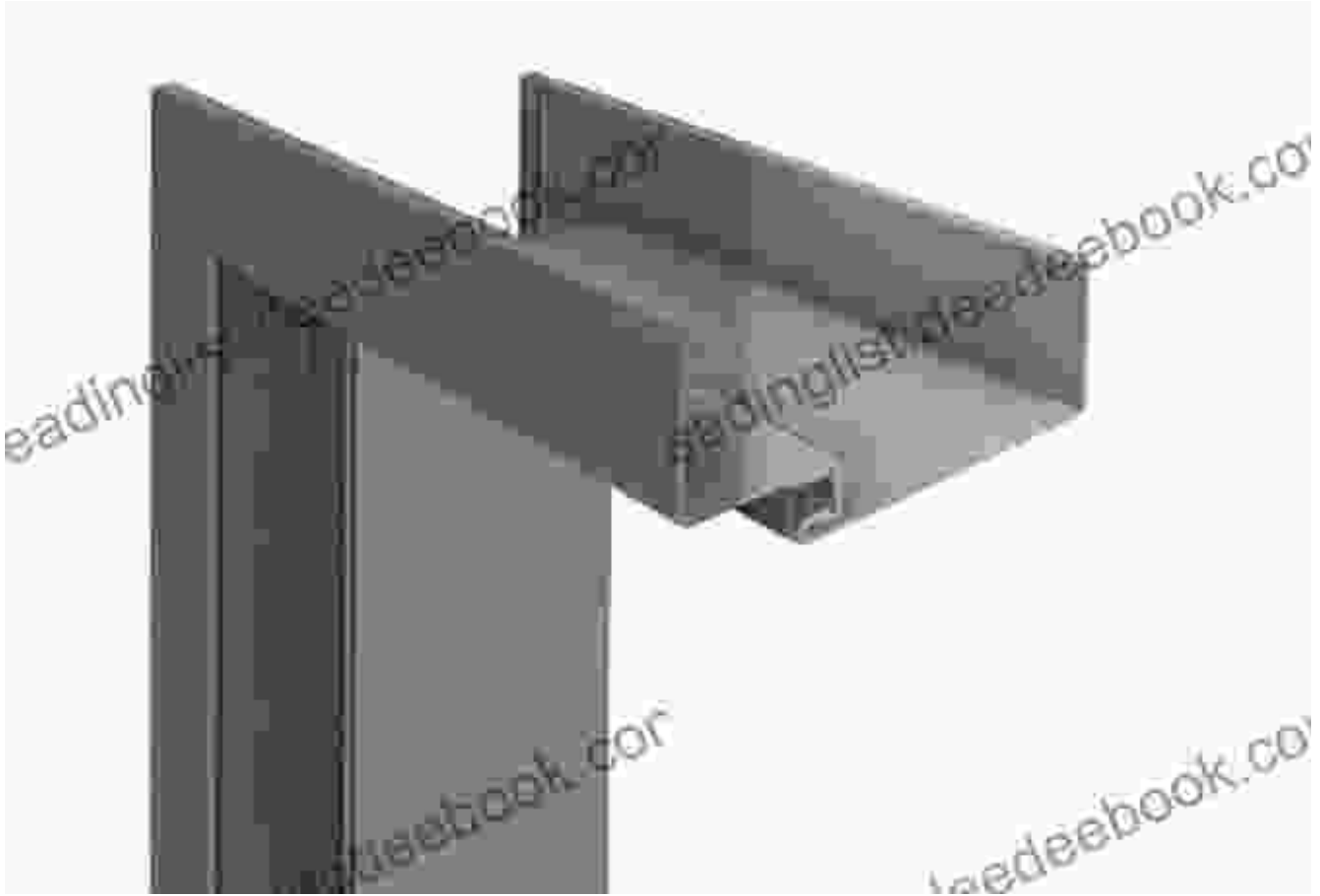
4.



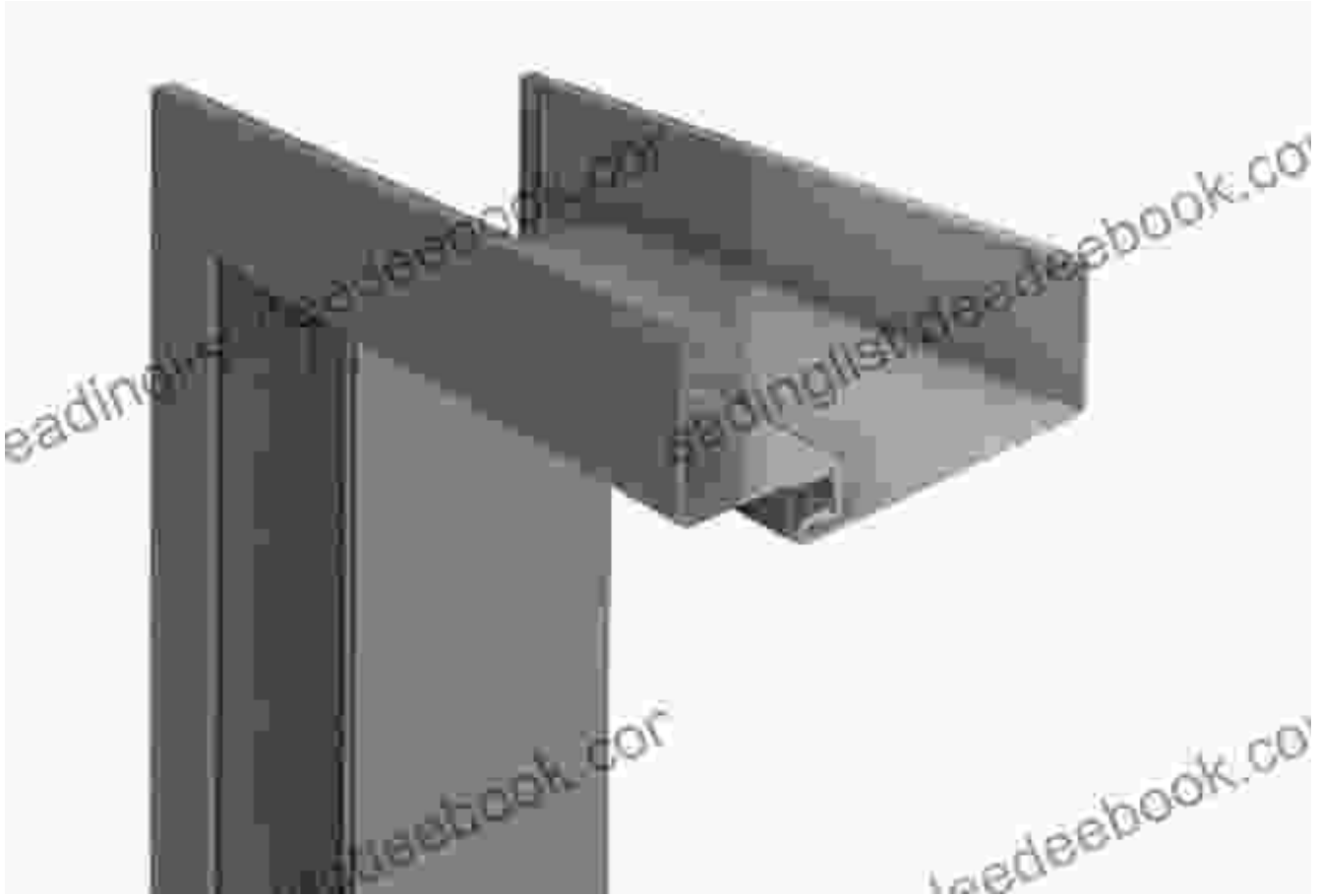
5.



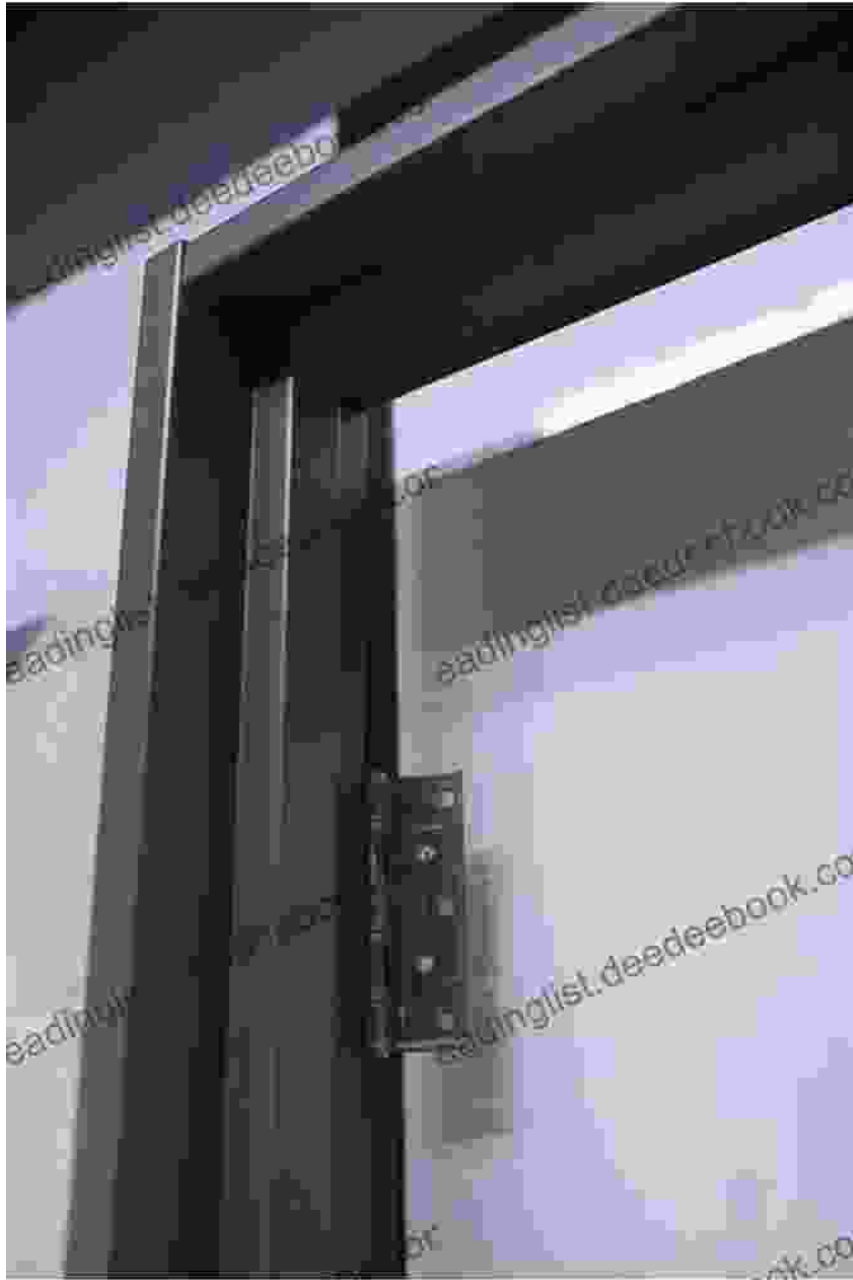
6.



7.

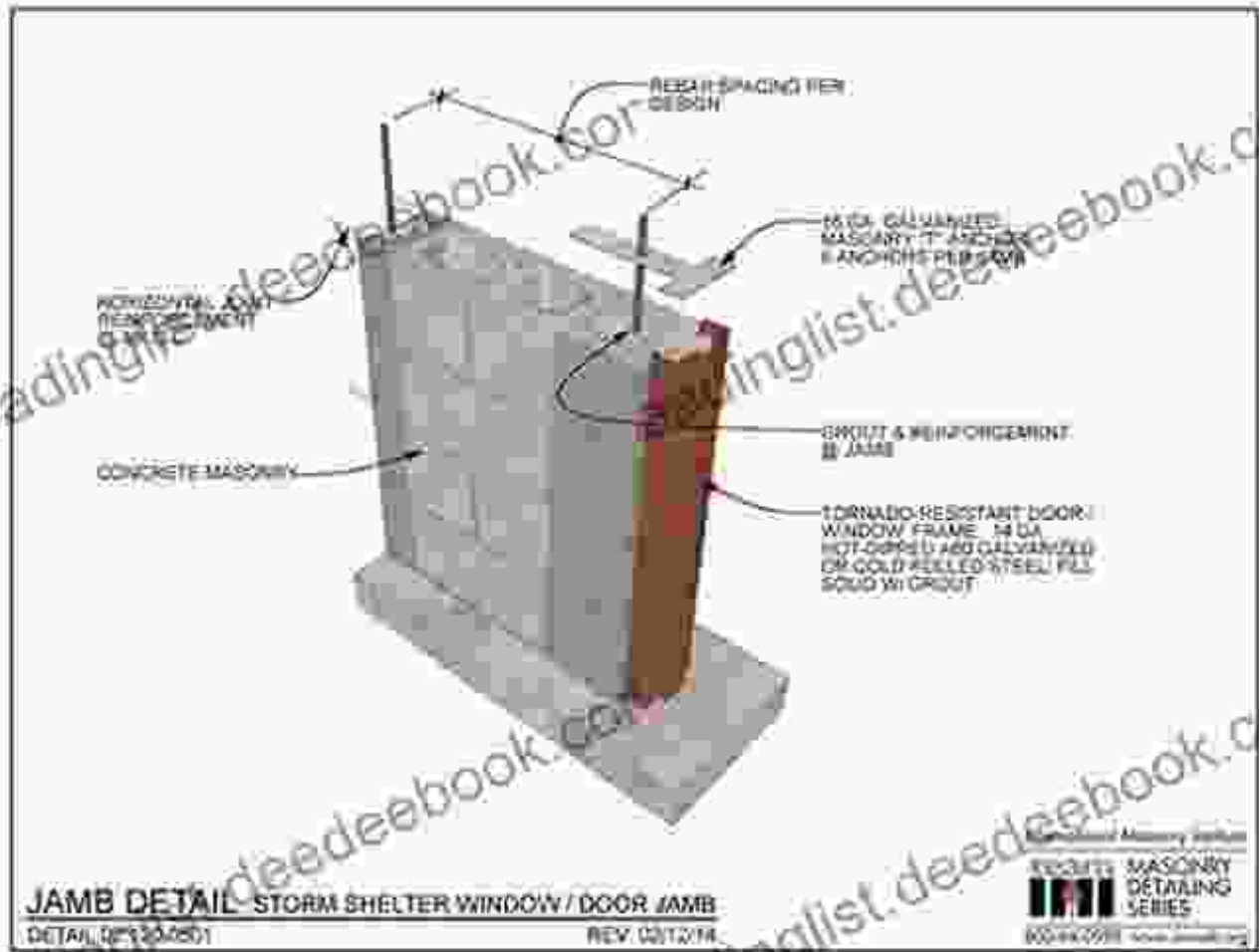


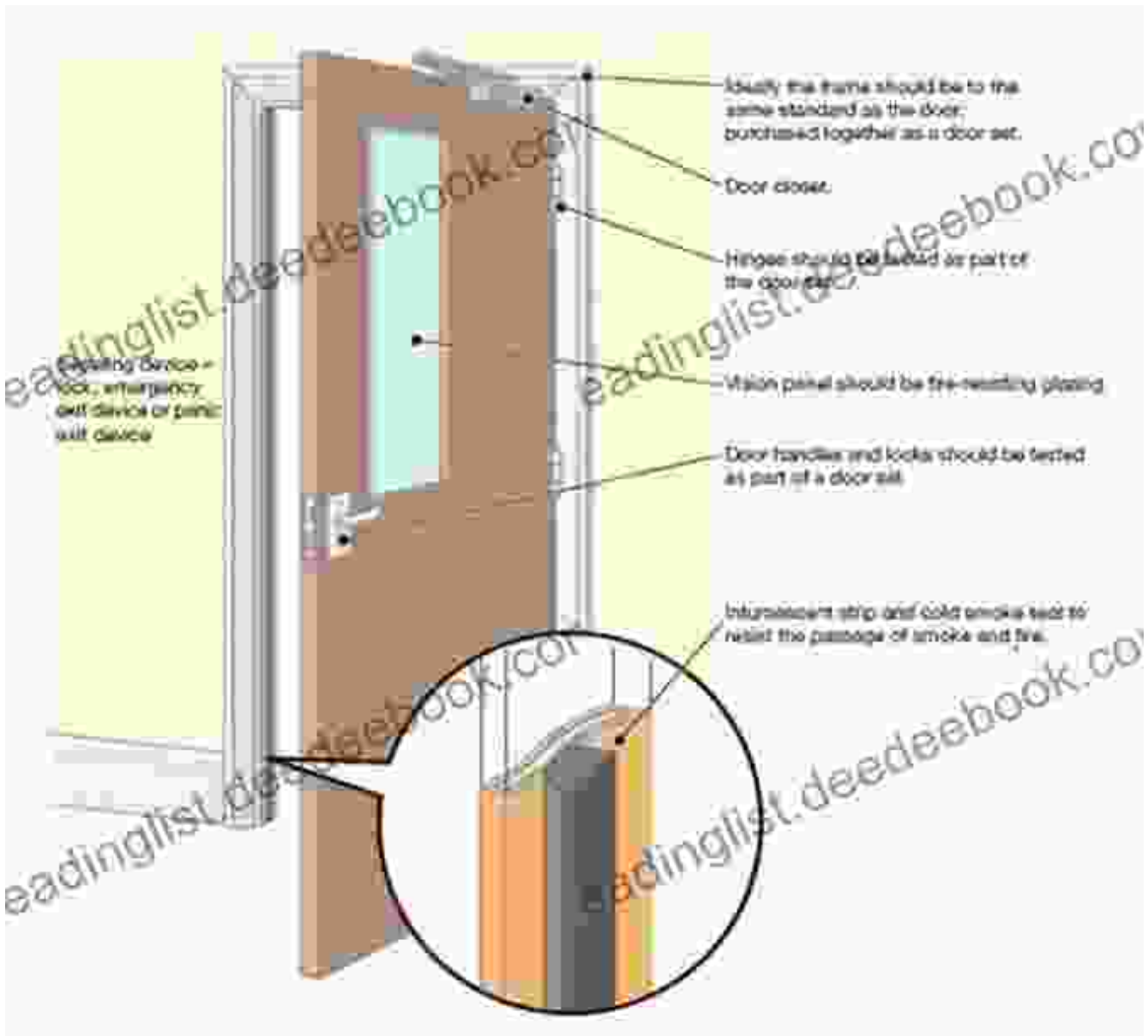
8.



9.







BSC N4_Chapter 2_Rebated Steel Door Frames

by Kiara Ashanti

★★★★★ 5 out of 5

Language : English

File size : 356116 KB

Screen Reader : Supported

Print length : 114 pages

FREE

DOWNLOAD E-BOOK



Unveiling Hidden Crete: A Comprehensive Review of Richard Clark's Notebook

In the tapestry of travel literature, Richard Clark's 'Hidden Crete Notebook' stands as a vibrant thread, inviting readers to unravel the enigmatic beauty of the Greek...



New Addition Subtraction Games Flashcards For Ages Year

Looking for a fun and educational way to help your child learn addition and subtraction? Check out our new addition subtraction games flashcards...